



Certificate of Appropriateness

Milwaukee Historic Preservation Commission/841 N Broadway/Milwaukee, WI 53202/phone 414-286-5712

**Property
Description of
work
Date issued**

718 N. Vel R Phillips Milwaukee Journal Complex
Metal fence with matching powered gate per attached drawings.

3/6/23 PTS ID N/A

In accordance with the provisions of Section 320-21 (11) and (12) of the Milwaukee Code of Ordinances, the Milwaukee Historic Preservation Commission has issued a certificate of appropriateness for the work listed above. The work was found to be consistent with preservation guidelines. The following conditions apply to this certificate of appropriateness:

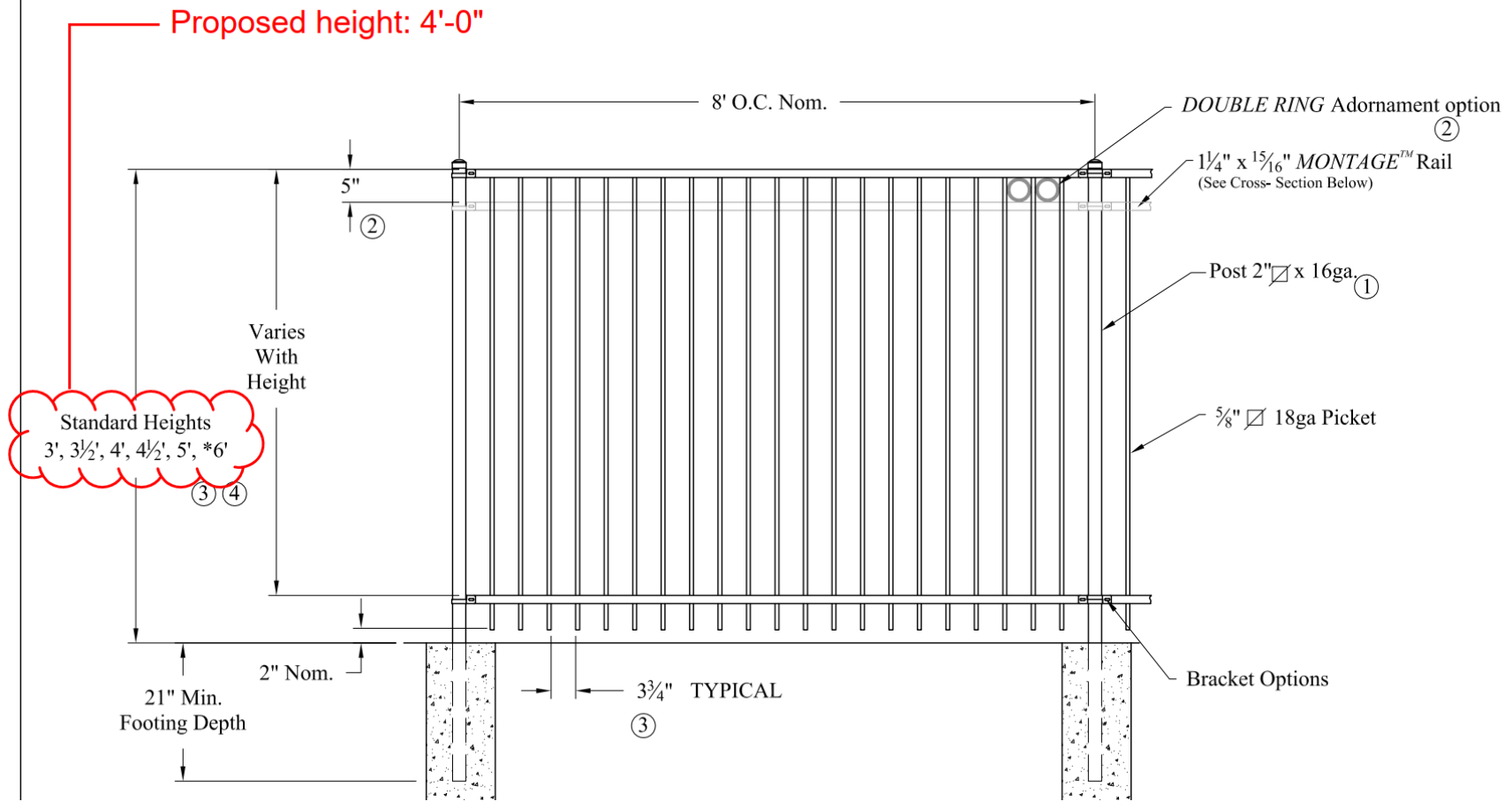
N/A

All work must be done in a craftsman-like manner, and must be completed within one year of the date this certificate was issued. Staff must approve any changes or additions to this certificate before work begins. Work that is not completed in accordance with this certificate may be subject to correction orders or citations. If you require technical assistance, please contact Historic Preservation staff as follows: Phone: (414) 286-5712 E-mail: hpc@milwaukee.gov.

If permits are required, you are responsible for obtaining them from the Milwaukee Development Center. If you have questions about permit requirements, please consult the Development Center's web site, www.milwaukee.gov/lms, or call (414) 286-8210.

City of Milwaukee Historic Preservation

Copies to: Development Center, Alderperson



Fence design

