

Item 1 (a & b): Picture of AC units Location



Item 1 (a & b) AC Spec:

AFFORDABLE 4630 Kinnickinnic Ave, Cudahy, Wisconsin 53110 (414) 481-2727 • www.affordablehgt.com **bryant** **WHATEVER IT TAKES**
Heating & Cooling Systems

1 (a & b): AC Replacement

AIR CONDITIONERS

	BEST	BETTER	GOOD	VALUE
	EVOLUTION™	Preferred™ SERIES		LEGACY™
	189B	126B	123A	113A
<i>Price includes coil, lineset and pad.</i>				
PERFORMANCE				
Efficiency SEER	15 - 19	14 - 16.5	13 - 15	13 - 14.5
Efficiency EER	10 - 13	11.5 - 13.5	11 - 12	10.8 - 11
Energy Star*		✓	✓	
Puron® Refrigerant	✓	✓	✓	✓
Multi Stage Compressor	Available up to 5 Stages			
Inverter Compressor	✓	✓	✓	✓
SOUND				
Quiet Level	As low as 55 dB	As low as 72 dB	As low as 74 dB	As low as 76 dB
CONTROLS				
Evolution® Control Ready	✓			
PerfectHumidity® Enhancement	✓			
Evolution Diagnostics	✓			
DURABILITY				
DuroGuard™ Plus Protection Package	✓	✓	✓	
Air Conditioner Size (tons)	<input type="checkbox"/> 2 <input type="checkbox"/> 3 <input type="checkbox"/> 4	<input type="checkbox"/> 1.5 <input type="checkbox"/> 2 <input type="checkbox"/> 2.5 <input type="checkbox"/> 3 <input type="checkbox"/> 3.5 <input type="checkbox"/> 4 <input type="checkbox"/> 5	<input type="checkbox"/> 1.5 <input type="checkbox"/> 2 <input type="checkbox"/> 2.5 <input type="checkbox"/> 3 <input type="checkbox"/> 3.5 <input type="checkbox"/> 4 <input type="checkbox"/> 5	<input type="checkbox"/> 1.5 <input type="checkbox"/> 2 <input type="checkbox"/> 2.5 <input type="checkbox"/> 3 <input type="checkbox"/> 3.5 <input type="checkbox"/> 4 <input type="checkbox"/> 5
Utility Rebates & Other Programs				

Item 2: Decorative Termination Cap Spec

Gas Direct Vent | Termination Caps & Shrouds



HORIZONTAL VENTING
GAS TERMINATION CAP

Horizontal Termination Cap
Use this multi-purpose cap to finish off any Direct Vent gas fireplace or stove. Shrouds are also available to blend with siding materials or for enhanced safety.

**DVP-TRAP1/DVP-TRAP2/SLP-TRAP1/
SLP-TRAP2/SLP-HHW2**



HORIZONTAL VENTING
GAS TERMINATION CAP

FireBrick™ Termination Cap
This termination cap is designed to complement distinct stone and stucco exteriors.

DVP-FBHT



HORIZONTAL VENTING
GAS TERMINATION CAP

High Performance Termination Cap
Quickly and easily complete a Direct Vent gas appliance with this cap—and ensure safe venting and exhaust flow in high wind applications.

DVP-HPC1/DVP-HPC2



HORIZONTAL VENTING
GAS TERMINATION CAP

High-Rise Termination Cap
This cap is ideal for adverse weather conditions in multi-unit, high-rise buildings.

SLP-HRC-SS/DVP-HRC-SS



HORIZONTAL VENTING
GAS TERMINATION CAP

Basement Installation Termination Caps
Safety vent near ground level with this slender and compact cap.

DVP-TB1/SLP-TB1/SLK-SNKD (not shown)



VERTICAL VENTING
GAS TERMINATION CAP

High Wind Vertical Termination Cap
This rugged cap is built to withstand high wind speeds, without sacrificing drafting or safety.

DVP-TVHW/SLP-TVHW



HORIZONTAL VENTING
GAS SHROUD

Decorative Radius Cover
This decorative, paintable shroud easily blends with exterior siding and provides a secondary safety barrier for heated exhaust

DRC-RADIUS (for use with DVP-TRAP1, DVP-TRAP2, SLP-TRAP1 or SLP-TRAP2)



POWER VENT TERMINATION CAPS

Fireplaces aren't just for exterior walls. A fan-powered accessory with slim venting can zigzag throughout your home—up, down, over or under—making it possible to install a gas fireplace virtually anywhere.

**Horizontal Termination Cap:
PVL-SP, PVI-SP-B**

Horizontal

Item 2: Pictures of Decorative Cap

Tape Measure is at the 4 ft. wall height in each of the following pictures.

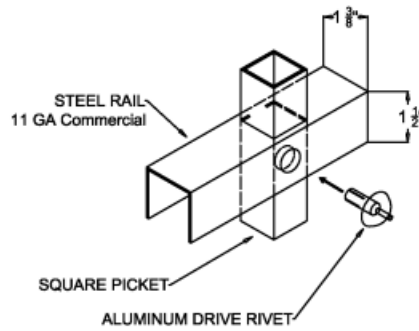
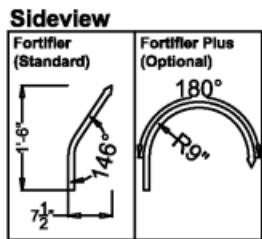
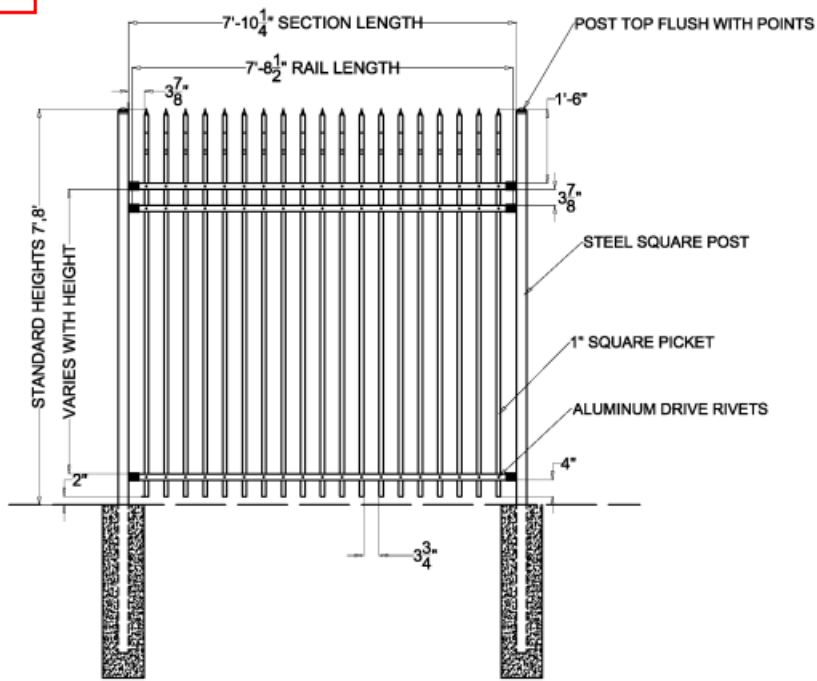




Item 3: Fence Spec

3 - Fence Spec

- OPTIONS:**
- Fence Heights:**
- 4 ft
 - 5 ft
 - 6 ft
 - 7 ft
 - 8 ft
- Post Option:**
- 2-1/2" sq. 14 ga.
 - 2-1/2" sq. 12 ga.
 - 3" sq. 12 ga.
- Picket Gauge:**
- 18 gauge
 - 16 gauge
 - 14 gauge
- Cap Style:**
- Ball Style
 - Flat Style
- Color:**
- Black (standard)
 - Bronze
 - Green
 - White



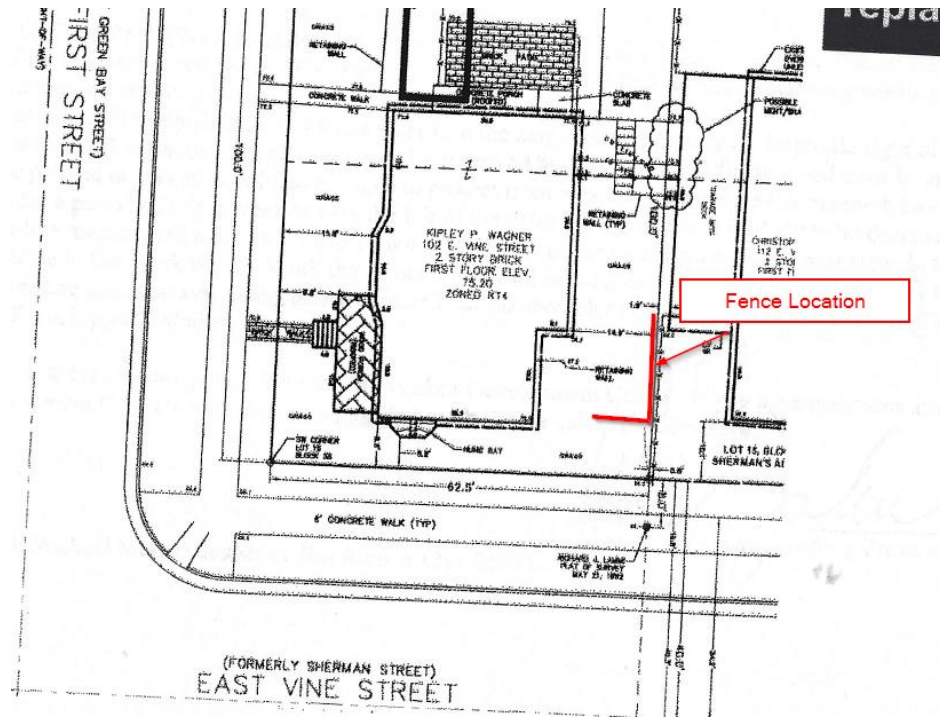
MONUMENTAL IRON WORKS

FORTIFIER - 1" PICKET PANEL

BY: es & swh
DATE: 5/7/18
REV:
REV DATE:

Fence Location:

(Note – plat is outdated, and the fence shown on the property line was previously removed by adjacent property owner).



Item 3: Pictures of Approximate Fence and Gate Location

