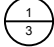
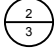
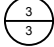
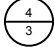



**01**

SCALE: 3/4" = 1'-0"

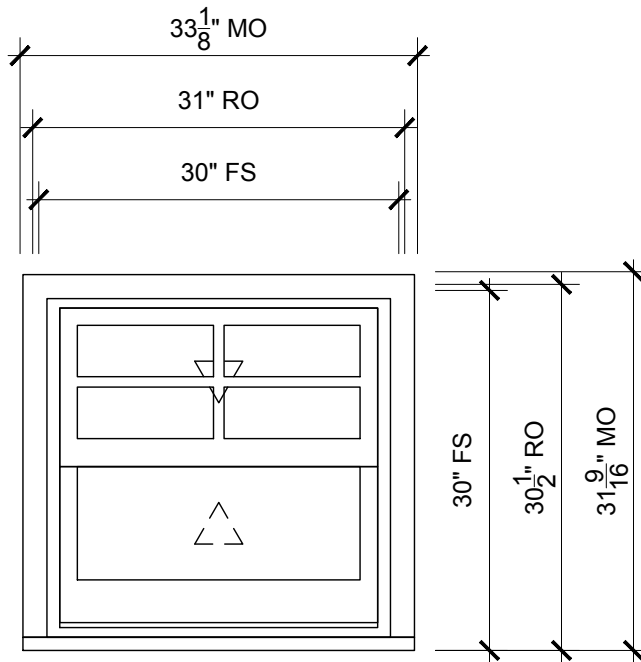
-  Head
-  Jamb
-  Sill
-  Divided Lite
-  CheckRail Detail

FOR DESIGN INTENT ONLY, NOT FOR MANUFACTURE.



PROJ/JOB: INFINITY / WOOD SDL PROJECT  
 DIST/DEALER: ZUERN BUILDING PRODUCTS INC-ALLENTON  
 DRAWN: ALEX GUTSCHENRITTER  
 QUOTE#: 1B2QDU2      PK VER: 0002.18.05      CREATED: 02/16/2018      REVISION:

SHEET  
 1  
 OF 4



**02**  
 SCALE: 3/4" = 1'-0"

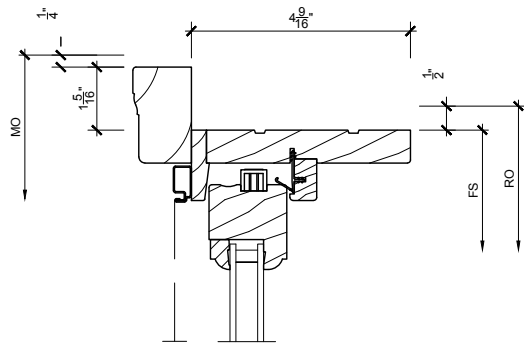
- 1  
3 Head
- 2  
3 Jamb
- 3  
3 Sill
- 4  
3 Divided Lite
- 1  
4 CheckRail Detail

FOR DESIGN INTENT ONLY, NOT FOR MANUFACTURE.

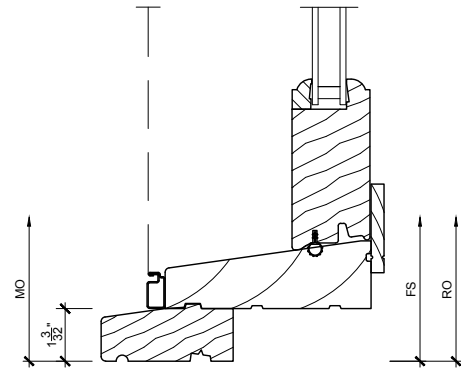


PROJ/JOB: INFINITY / WOOD SDL PROJECT  
 DIST/DEALER: ZUERN BUILDING PRODUCTS INC-ALLENTON  
 DRAWN: ALEX GUTSCHENRITTER  
 QUOTE#: 1B2QDU2      PK VER: 0002.18.05      CREATED: 02/16/2018      REVISION:

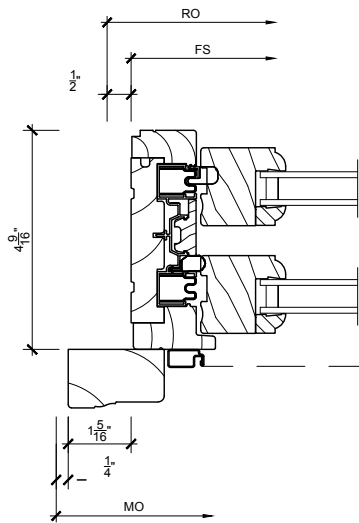
SHEET  
 2  
 OF 4



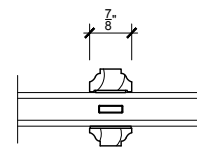
1 Head  
3 SCALE: 3" = 1'-0"



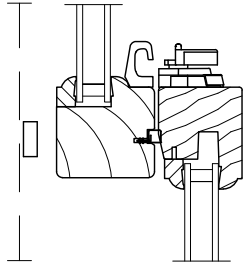
3 Sill  
3 SCALE: 3" = 1'-0"



2 Jamb  
3 SCALE: 3" = 1'-0"



4 Divided Lite  
3 SCALE: 3" = 1'-0"



1  
4

### CheckRail Detail

SCALE: 3" = 1'-0"

3  
4

### NOT USED

SCALE: 3" = 1'-0"

2  
4

### NOT USED

SCALE: 3" = 1'-0"

4  
4

### NOT USED

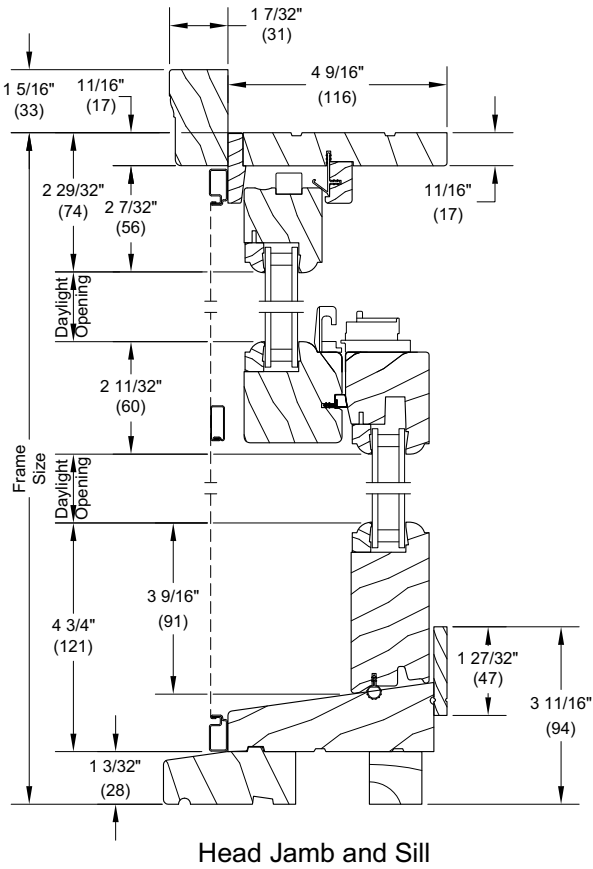
SCALE: 3" = 1'-0"

# Wood Ultimate Double Hung

## Section Details: Operating

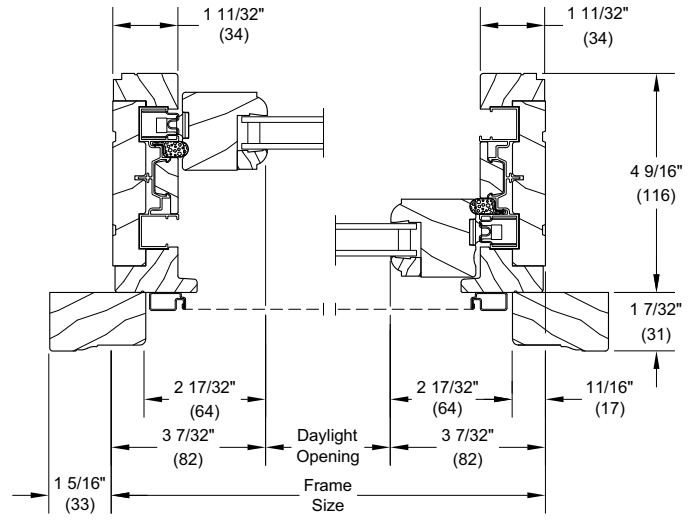
Scale: 3" = 1' 0"

### Double Hung

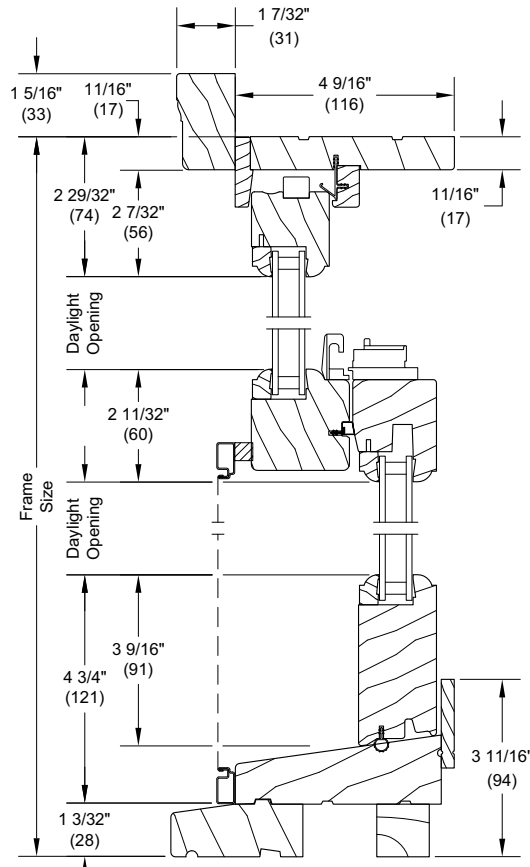


### Lower Sash

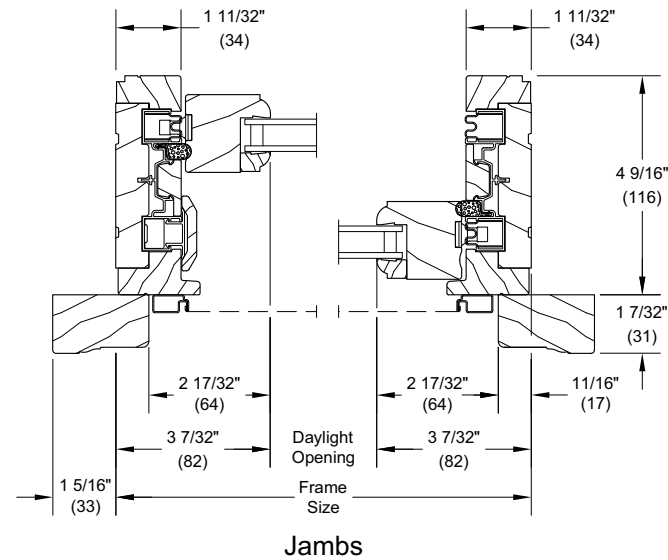
### Upper Sash



### Jambs



### Single Hung



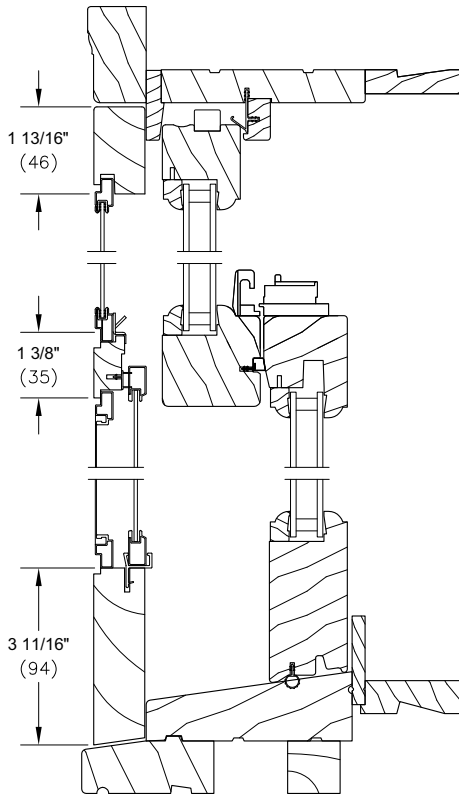
### Head Jamb and Sill

# Wood Ultimate Double Hung

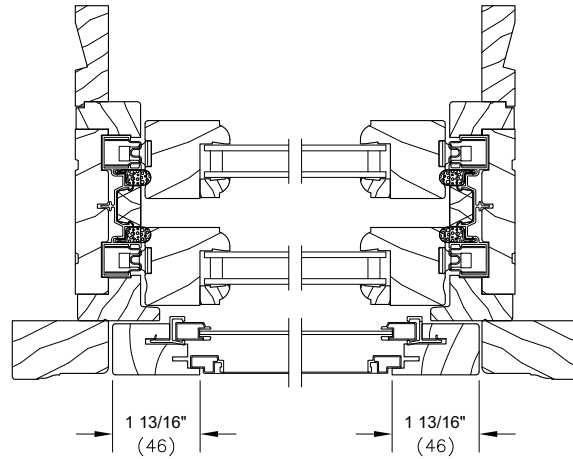
## Section Details: Combination/Storm Sash

Scale: 3" = 1' 0"

**Combination w/ 6 9/16"**

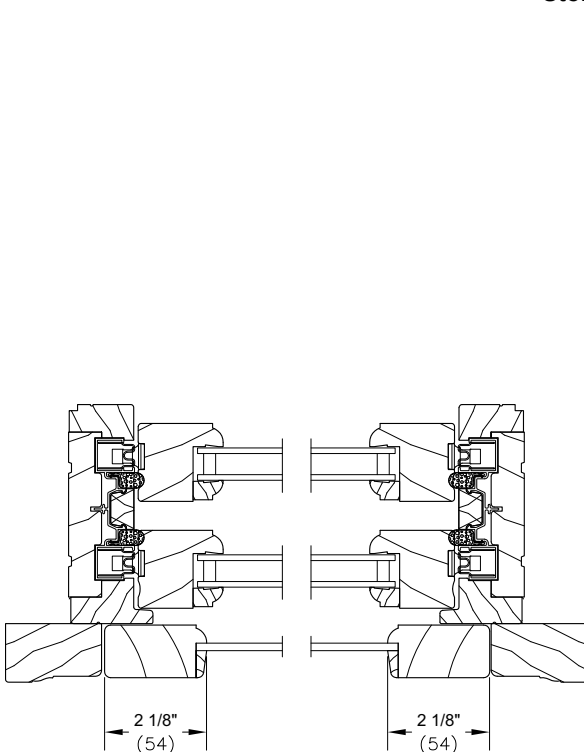


**Head Jamb and Sill**

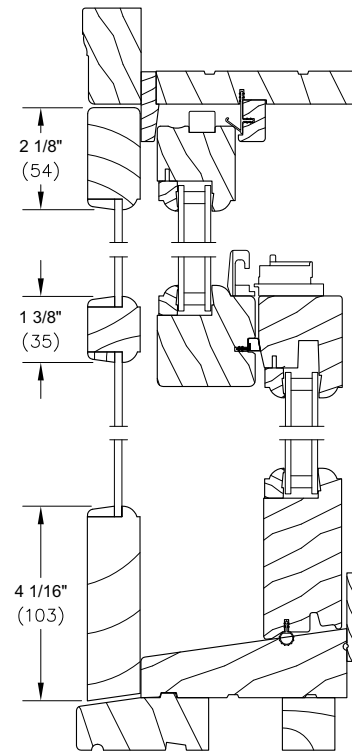


**Jambs**

**Storm Sash**



**Jambs**



**Head Jamb and Sill**