



# CERTIFICATE OF APPROPRIATENESS APPLICATION FORM

Incomplete applications will not be processed for Commission review.

Please print legibly.

**1. HISTORIC NAME OF PROPERTY OR HISTORIC DISTRICT: (if known)**

Brewers Hill

**ADDRESS OF PROPERTY:**

114 W Lloyd St, Milwaukee, WI 53212

**2. NAME AND ADDRESS OF OWNER:**

Name(s) Amanda Betts

Address: 114 W Lloyd St

City: Milwaukee

State: WI

ZIP: 53212

Email: amandalynn.betts@gmail.com

Telephone number (area code & number) Daytime: 414-345-7661

Evening: Same

**3. APPLICANT, AGENT OR CONTRACTOR: (if different from owner)**

Name(s): American Heritage Fireplace (0201186)

Address: 4475 South 13th Street

City: Milwaukee

State: WI

ZIP Code: 53221

Email: Bgerard@amherfire.com

Telephone number (area code & number) Daytime: 414-281-4203 ext 186

Evening: \_\_\_\_\_

**4. ATTACHMENTS:** (Because projects can vary in size and scope, please call the HPC Office at 414-286-5712 for submittal requirements)

**A. REQUIRED FOR MAJOR PROJECTS:**

Photographs of affected areas & all sides of the building (annotated photos recommended)

Sketches and Elevation Drawings (1 full size and 1 reduced to 11" x 17" or 8 1/2" x 11")  
A digital copy of the photos and drawings is also requested.

Material and Design Specifications (see next page)

**B. NEW CONSTRUCTION ALSO REQUIRES:**

\_\_\_\_\_ Floor Plans (1 full size and 1 reduced to a maximum of 11" x 17")

\_\_\_\_\_ Site Plan showing location of project and adjoining structures and fences

**PLEASE NOTE: YOUR APPLICATION CANNOT BE PROCESSED UNLESS BOTH PAGES OF THIS FORM ARE PROPERLY COMPLETED AND SIGNED.**

**5. DESCRIPTION OF PROJECT:**

Tell us what you want to do. Describe all proposed work including materials, design, and dimensions. Additional pages may be attached via email.

We would like to install a gas fireplace into the front room (living room) of our home to help bring back some charm. We selected a City of Milwaukee approved contractor for this work, American Heritage, and from their line selected the unit Regency P36. Full dimensions and specs are found in the attachment "A". This unit was select primarily because it has the smallest on the market external cap to minimize exterior work. The external cap is also aluminium and the manufacturer allows for high-heat external paint can be applied.

Our house already has a gas line for our gas stove and this contractor is cleared to run a line for this unit.

The location of the external cap is similar to the location of our neighbor's (124 W Lloyd) gas fireplace cap. Note, our neighbors, with an nearly identical Queen Anne Victorian has a gas cap facing into the alley, where foot and vehicle traffic is present. Our cap would face the off the east side of our home in an area between two lots, with low to no foot traffic. The external clearance around the cap as well as distance from our meter have all been approved by the contractor.

Note in our annotated picture of the side of our house (attachment "B"), there is a bush. That bush is within our property line and will be removed prior to install (time of photo, ground is too frozen).

With the COA we will proceed to retrieve the commissions permission as well as receiving the necessary permits for gas pipe fitting and the mechanical appliance HVAC install.

Attachments in "C" show the gas cap specifically as well as it s specs.

**6. SIGNATURE OF APPLICANT:**

  
Signature

Please print or type name

Date

This form and all supporting documentation MUST arrive by 4:00 pm (11:59 pm via email) on the deadline date established to be considered at the next Historic Preservation Commission Meeting. Any information not provided to staff in advance of the meeting will not be considered by the Commission during their deliberation. Please call if you have any questions staff will assist you.

**Mail or Email Form to:**  
Historic Preservation Commission  
City Clerk's Office  
841 N. Broadway, Rm. B1  
Milwaukee, WI 53202

**PHONE: (414) 286-5712 or 286-5722**

[hpc@milwaukee.gov](mailto:hpc@milwaukee.gov)

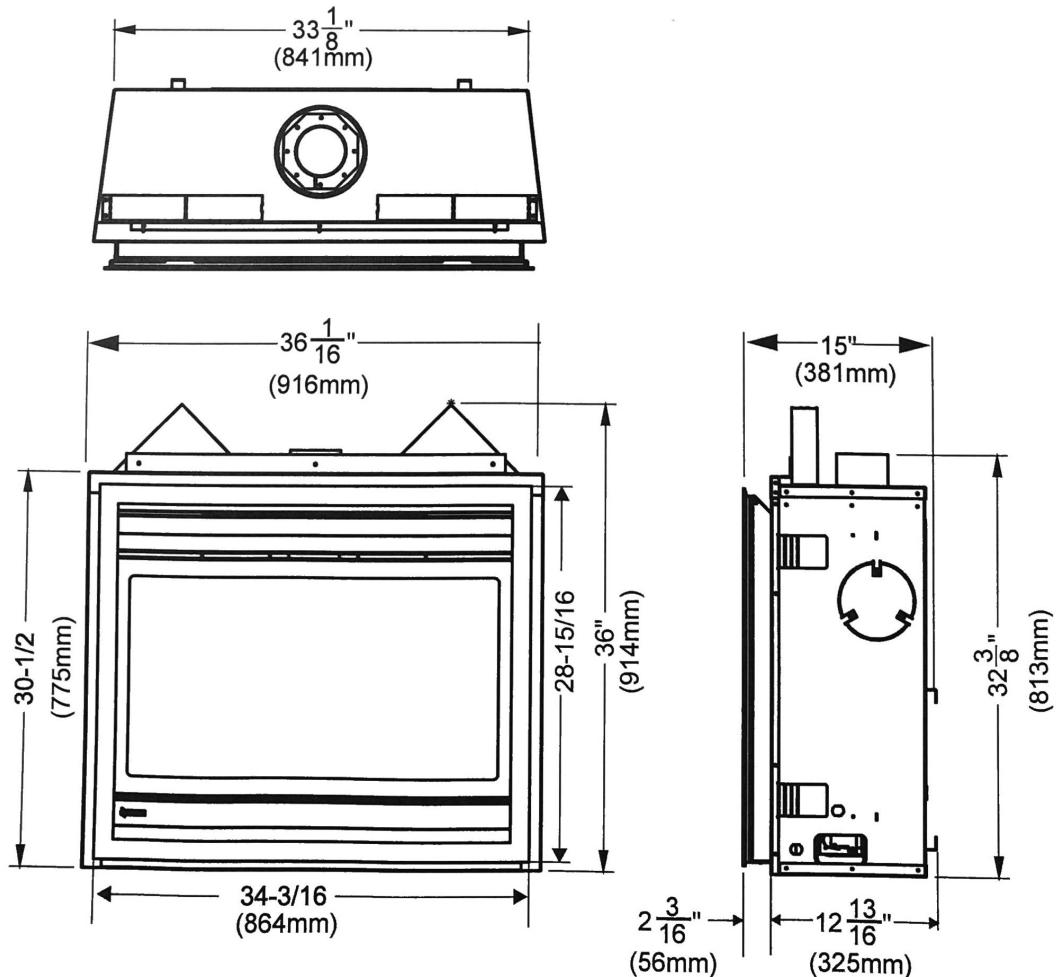
[www.milwaukee.gov/hpc](http://www.milwaukee.gov/hpc)

**Or click the SUBMIT button to automatically email this form for submission.**

A

## P36 / P36E Gas Fireplace

Model	P36-NG10	P36-LP10	P36E-NG10	P36E-LP10
Fuel Type	Natural Gas	Propane	Natural Gas	Propane
Minimum Supply Pressure	5" W.C. (1.25 kPa)	12" W.C. (3.00 kPa)	5" W.C. (1.25 kPa)	11" W.C. (2.74 kPa)
Manifold Pressure - High	3.8" W.C. (0.95 kPa)	11" W.C. (2.74 kPa)	3.5" W.C. (0.87kPa)	10" W.C. (2.49 kPa)
Manifold Pressure - Low	1.1" W.C. (0.27 kPa)	2.9" W.C. (0.72 kPa)	1.6" W.C. (0.27 kPa)	6.4" W.C. (1.59 kPa)
Orifice Size	#37 DMS	#52 DMS	#37 DMS	#52 DMS
Minimum Input	15,500 BTU/h (4.54 kW)	15,000 BTU/h (3.96 kW)	19,500 BTU/h (5.71 kW)	22,000 BTU/h (6.44 kW)
Maximum Input	30,000 BTU/h (8.79 kW)	30,000 BTU/h (8.79 kW)	29,500 BTU/h (8.65 kW)	28,500 BTU/h (8.35 kW)
Vent Sizing	4" Inner / 6 5/8" Outer	4" Inner / 6 5/8" Outer	4" Inner / 6 5/8" Outer	4" Inner / 6 5/8" Outer
<b>Approved Venting Systems</b>				
Flex Vent Systems:		FPI AstroCap™ Flex Vent		
Rigid Pipe Vent Systems:		Simpson Direct Vent Pro® American Metal Products® Amerivent Direct Security Secure Vent® Selkirk Direct-Temp™ Metal-Fab® Sure Seal		




**\*\*\*Important:** Framing height requires consideration of the hearth depth. Dimension H = H + the thickness of installed hearth.

P36 / P36E - 10 Gas Fireplace

## Venting Arrangements - Horizontal Terminations

This diagram shows all allowable combinations of vertical runs with horizontal terminations, using one 90° elbow (two 45° elbows equal one 90° elbow).

The lightly shaded area, , in the diagram shows allowable combinations when installing a P36/P36E.

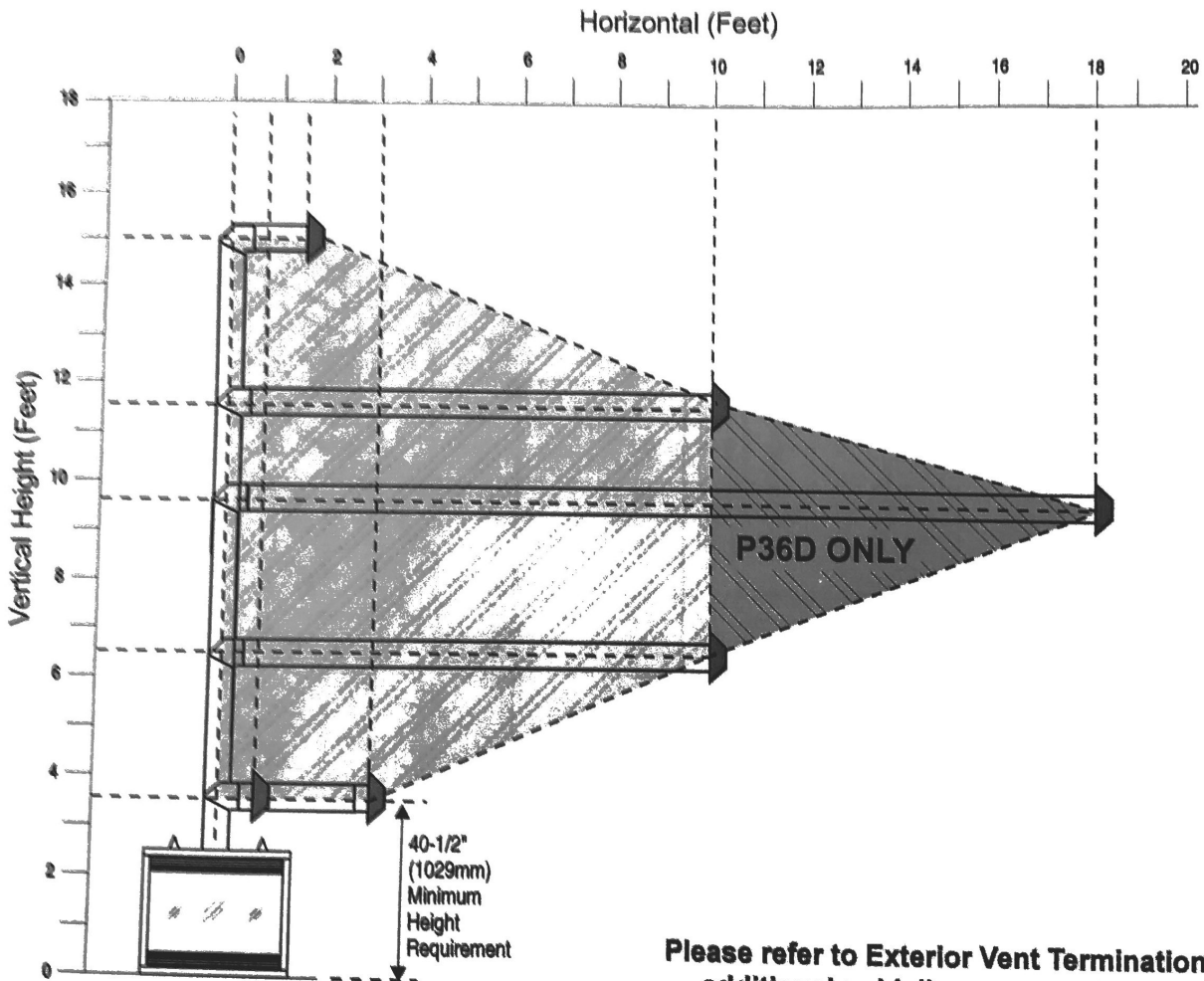
The darker shaded area, , in the diagram shows additional allowable combinations when installing a P36D.

**Note:** Must use optional flue adapter (Part # 510-994, when using Rigid Pipe.

- Maintain clearances to combustibles.
- Horizontal vent must be supported every 3 feet.
- Firestops are required at each floor level and whenever passing through a wall.

A vent guard may be required as per local codes, refer to page 11 for "Exterior Vent Termination Locations".

**Note:** FPI Direct Vent System (Flex) is only approved for horizontal terminations.

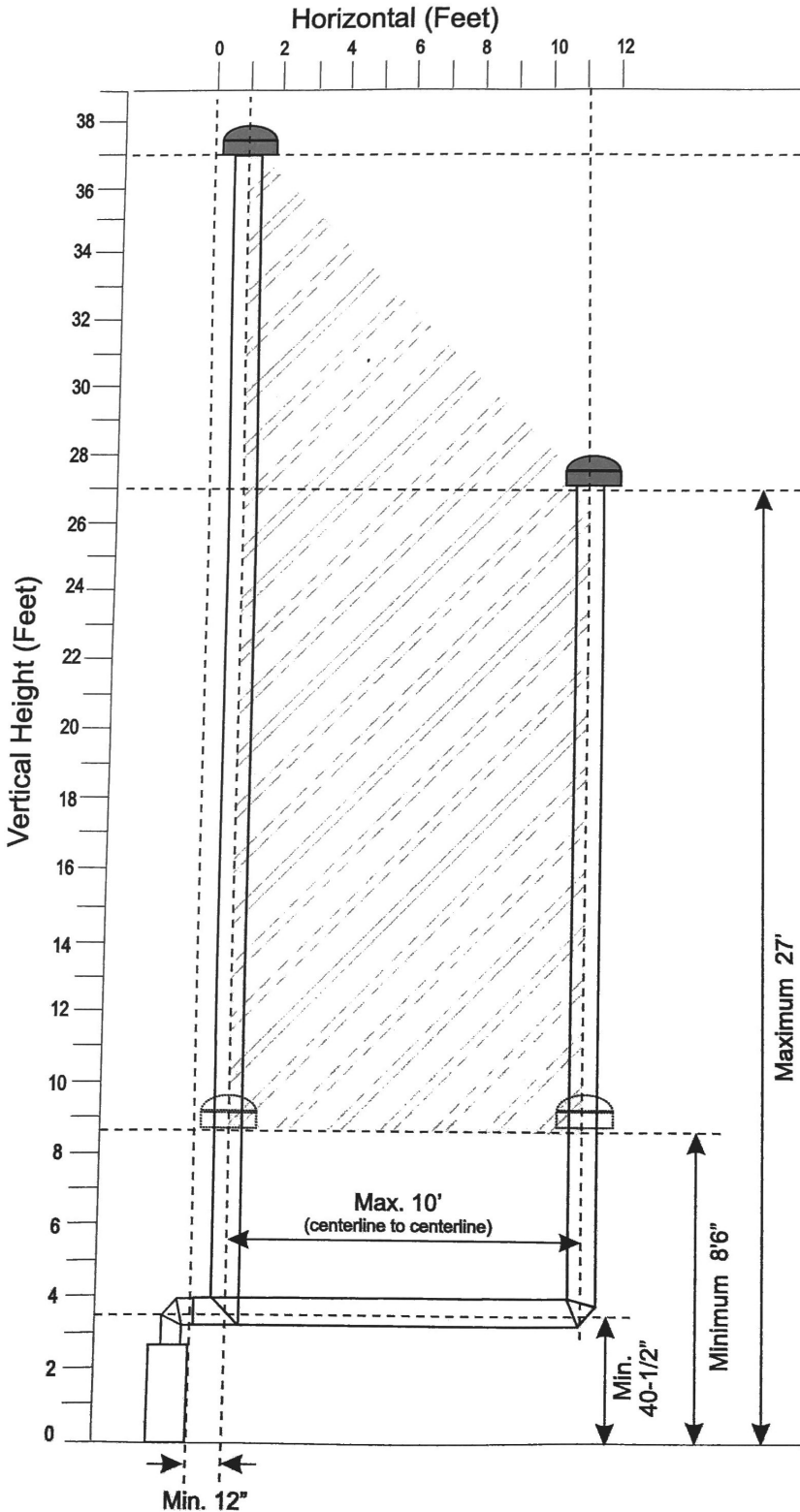


**Please refer to Exterior Vent Terminations for additional guidelines on vent locations.**

**RIGID PIPE VENTING ARRANGEMENTS  
VERTICAL TERMINATIONS**

**(Propane & Natural Gas)**

The shaded area in the diagram shows all allowable combinations of straight vertical and offset to vertical terminations, using two 90° elbow, with Rigid Pipe vent systems for Propane and Natural Gas.



- Vent must be supported at offsets.
- Firestops are required at each floor level and whenever passing through a wall.
- Maintain clearances to combustibles.

**Note:** Must use optional rigid pipe adaptor when using rigid vent systems (Part # 510-994).

## P36 / P36E-10 Gas Fireplace

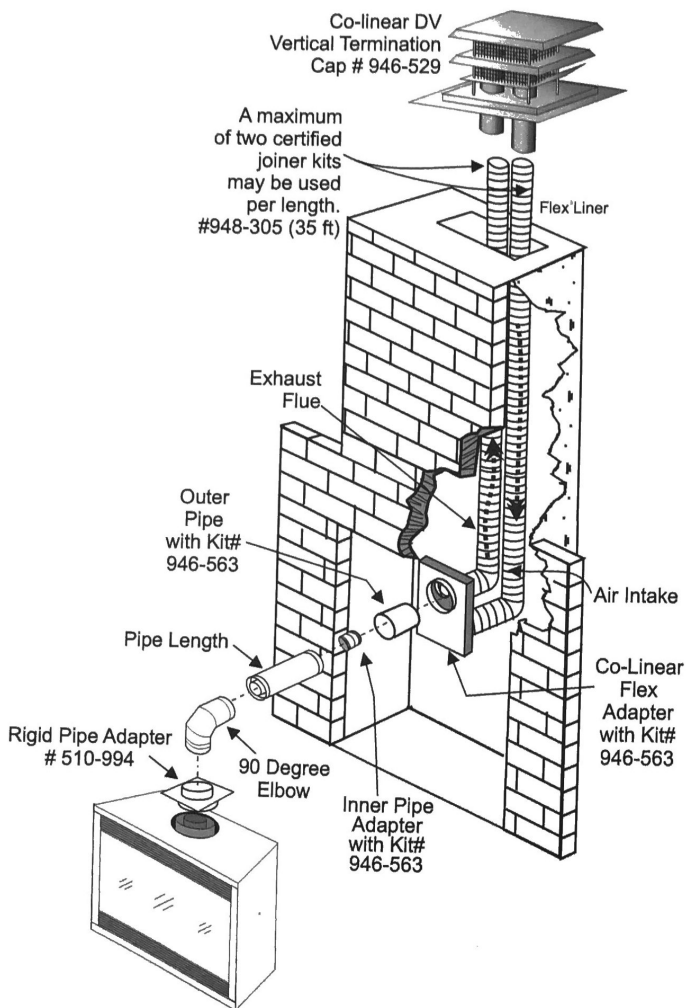
### Vertical Termination with Co-linear Flex System

The appliance must not be connected to a chimney flue serving a separate solid fuel burning appliance.

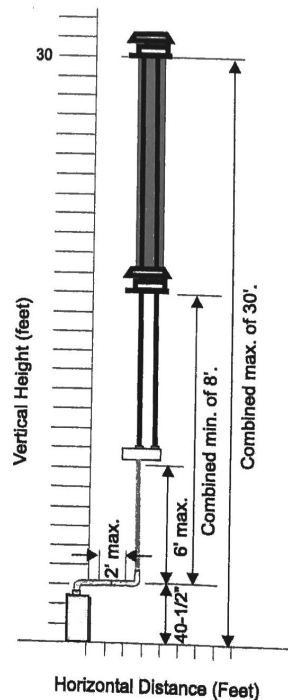
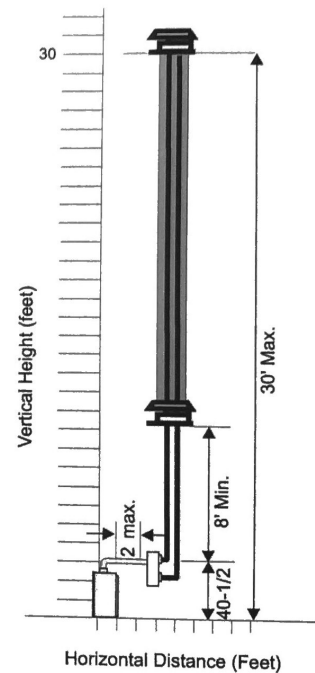
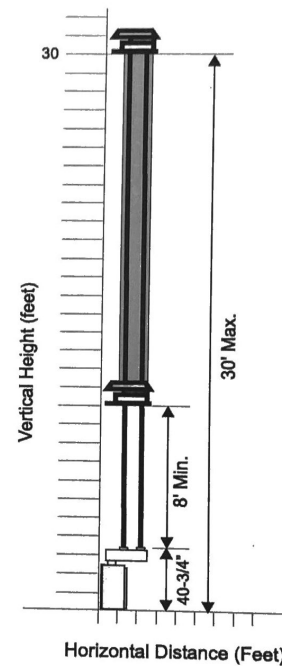
Masonry chimneys may take various contours which the flexible liner will accommodate. However, **keep the flexible liner as straight as possible**, avoid unnecessary bending.

The Air Intake pipe must be attached to the inlet air collar of the termination cap.

This appliance is designed to be attached to two 3" (76mm) co-linear aluminium flex running the full length of the chimney. See the Venting Arrangements for minimum and maximum heights.



Required Parts:	
Part #	Description
946-529	Co-linear DV Vertical Termination Cap
948-305	3" Flex - 35 ft.
946-563	Coaxial to Co-linear Adapter Kit which contains the following: Co-linear Flex Adapter Outer Pipe Inner Pipe Adapter
510-994	Flue Adapter
46dva-E45	45° Elbow
Alternate Approved Caps	
46dva-VC	Vertical Termination Cap
46dva-VCH	High Wind Cap
46dva-GK	3" Co-linear Adapter with flashing



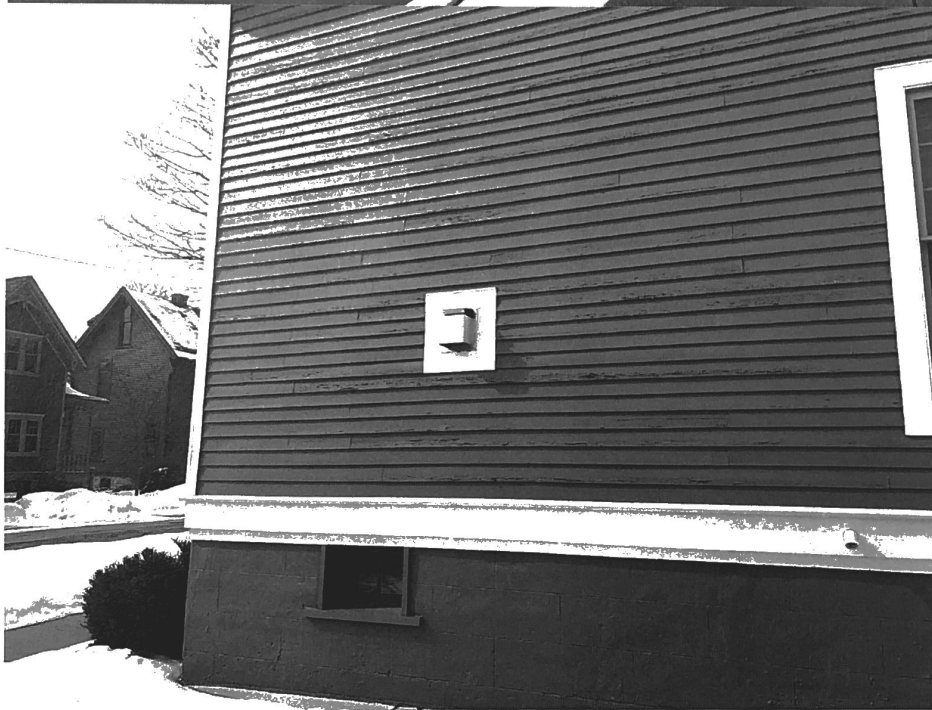
The shaded area in the diagrams show the allowable vertical terminations.

Please refer to Exterior Vent Terminations for additional guidelines on vent locations.

**B**



Images of 124 W Lloyd gas fireplace cap.





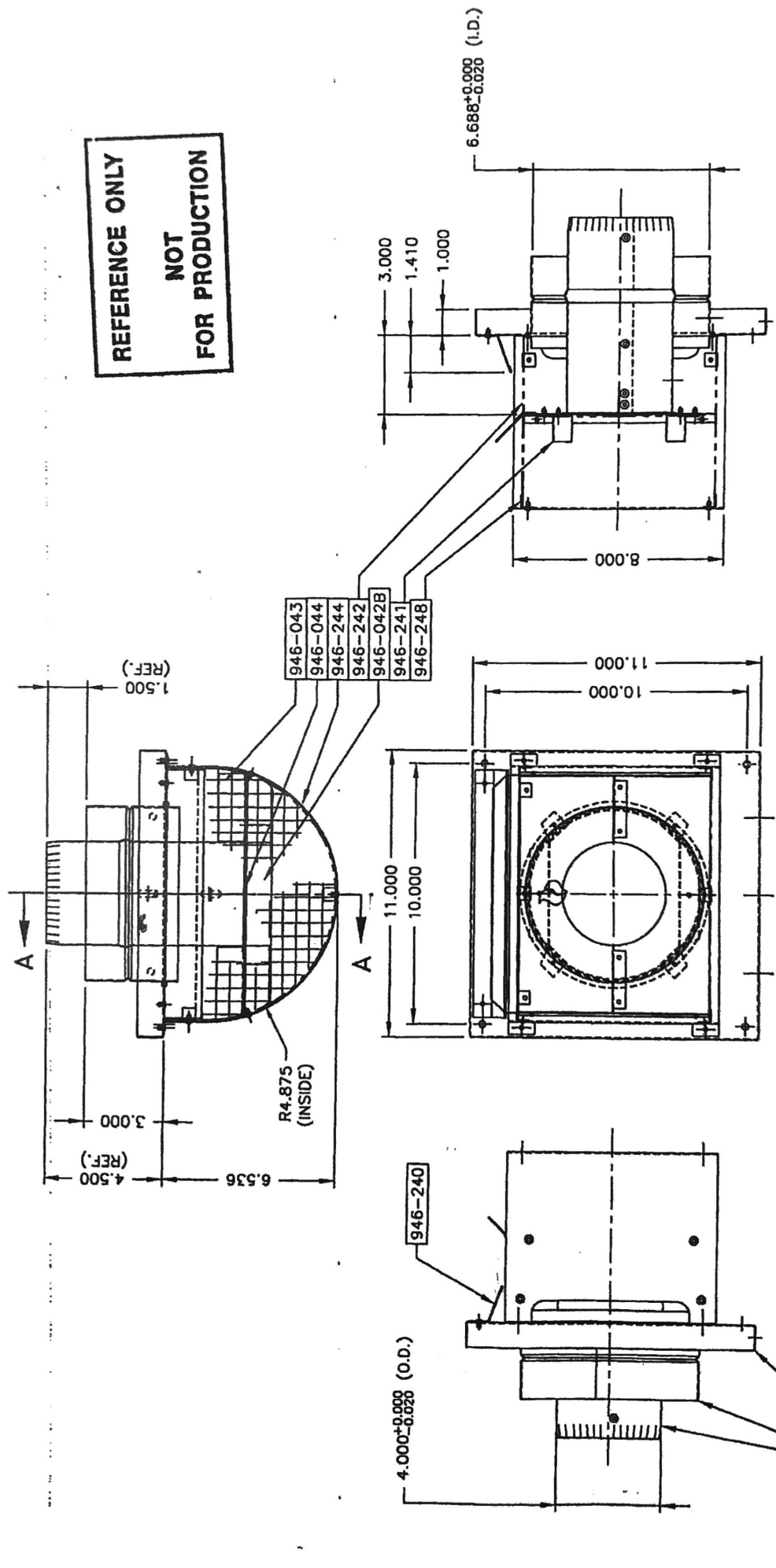
Note: placement of cap can be any varied height, a minimum of 40.5" from base of installed unit, which would be approximately 6' already from the ground. However, we desire to place it here for safety as well as it would be blocked from street view during the warm months as the foliage of the front yard tree would cover it.

C

9



**REFERENCE ONLY  
NOT  
FOR PRODUCTION**



SECTION A-A

**PATENTED**

<b>FIREPLACE PRODUCTS INTERNATIONAL</b>		DWN	S. SHUM	JAN 03, 2002
PART : ASTRO CAP HORIZON TERMINAL		CHK		
MAT'L : ALUMINUM (0.020 & 0.040) BLANK SIZE : N/A		PROCESS :	ASSEMBLY	
TOLERANCES UNLESS OTHERWISE STATED		C.N.	SIGN	DATE
ANGULAR = ± 1°		C	G2975 S. SHUM	APR 2, 02
DIMENSIONS = ± 0.031		B	G2642 A. LAU	JUN 7, 01
INSIDE BEND RADI = N/A		REV.	C	
UNITS IN INCHES		PART No.	946-523	
3RD ANGLE PROJECTION	DO NOT SCALE	QTY.	1	
ASTRO CAP		MODEL #	1	
THIS DRAWING IS THE PROPERTY OF FPI LTD., IT MAY NOT BE COPIED IN WHOLE OR IN PART, OR DISCLOSED TO A THIRD PARTY WITHOUT OUR PRIOR WRITTEN CONSENT.				

MAY 05 2005