



INTERIOR

EXTERIOR

# ULTIMATE DOUBLE HUNG G2

Engineered for performance and designed to inspire, each aspect of the Ultimate Double Hung G2 window was made with purpose. Our engineers consider every detail from the most innovative features to the most minute subtleties, all because the windows in your home help illuminate the most important parts of your life.

## INTERIOR FEATURES AND PERFORMANCE

**RICH WOOD INTERIOR**

Offers beauty and warmth with six wood species and ten interior finish options.

**NARROW CHECKRAIL**

Provides a sleek aesthetic at 1 1/4 inches to maximize daylight opening while maintaining historical accuracy.

**TILT WASH**

Allows easy access to exterior glass for cleaning and maintenance.



**EXCLUSIVE AUTOLOCK**

Activates when the sashes are closed, locking the window.

**FIRST-RATE ENERGY EFFICIENCY**

Meets ENERGY STAR® standards in energy efficiency with multiple glass options for various regions, climates, and weather needs.

**SASH BALANCE SYSTEMS**

Enables smooth operation at the largest sizes.

## EXTERIOR FEATURES AND PERFORMANCE

**DURABLE CLADDING**

Extruded aluminum exterior cladding with an AAMA verified 2605 finish and backed by a 20-year warranty against chalking and fading.

**EXPANSIVE SIZES**

Larger than 5 feet wide by 10 feet high.

**TRADITIONAL SILL BEVEL**

The 14-degree bevel provides optimal water management while maintaining a classic look.

**SUPERIOR WEATHER PERFORMANCE**

LC-PG50 on most sizes. Optional commercial (CW) performance and IZ3 certified coastal performance on most sizes.

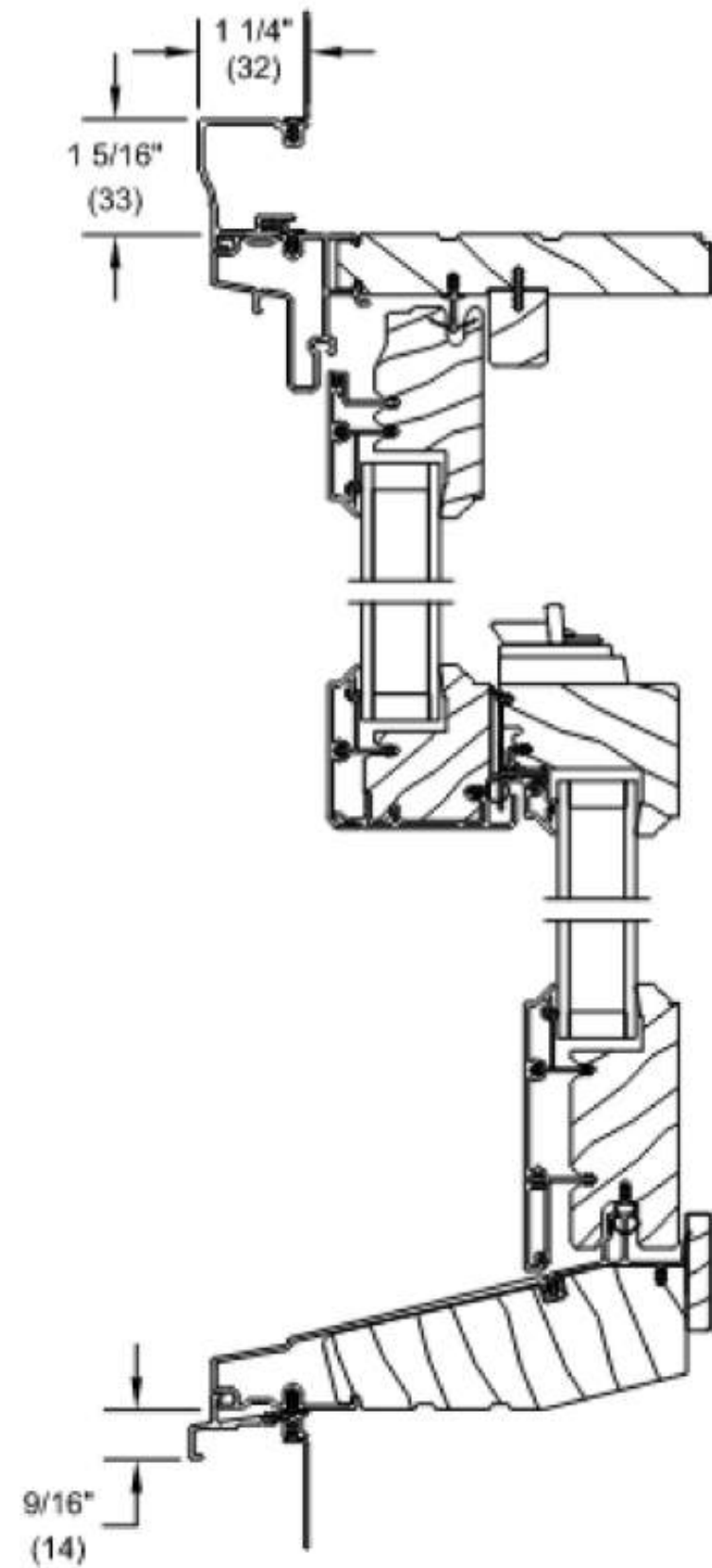
**DESIGN VERSATILITY**

An array of simulated divided lite patterns, interior and exterior color options, ten hardware finishes, and archtop models.

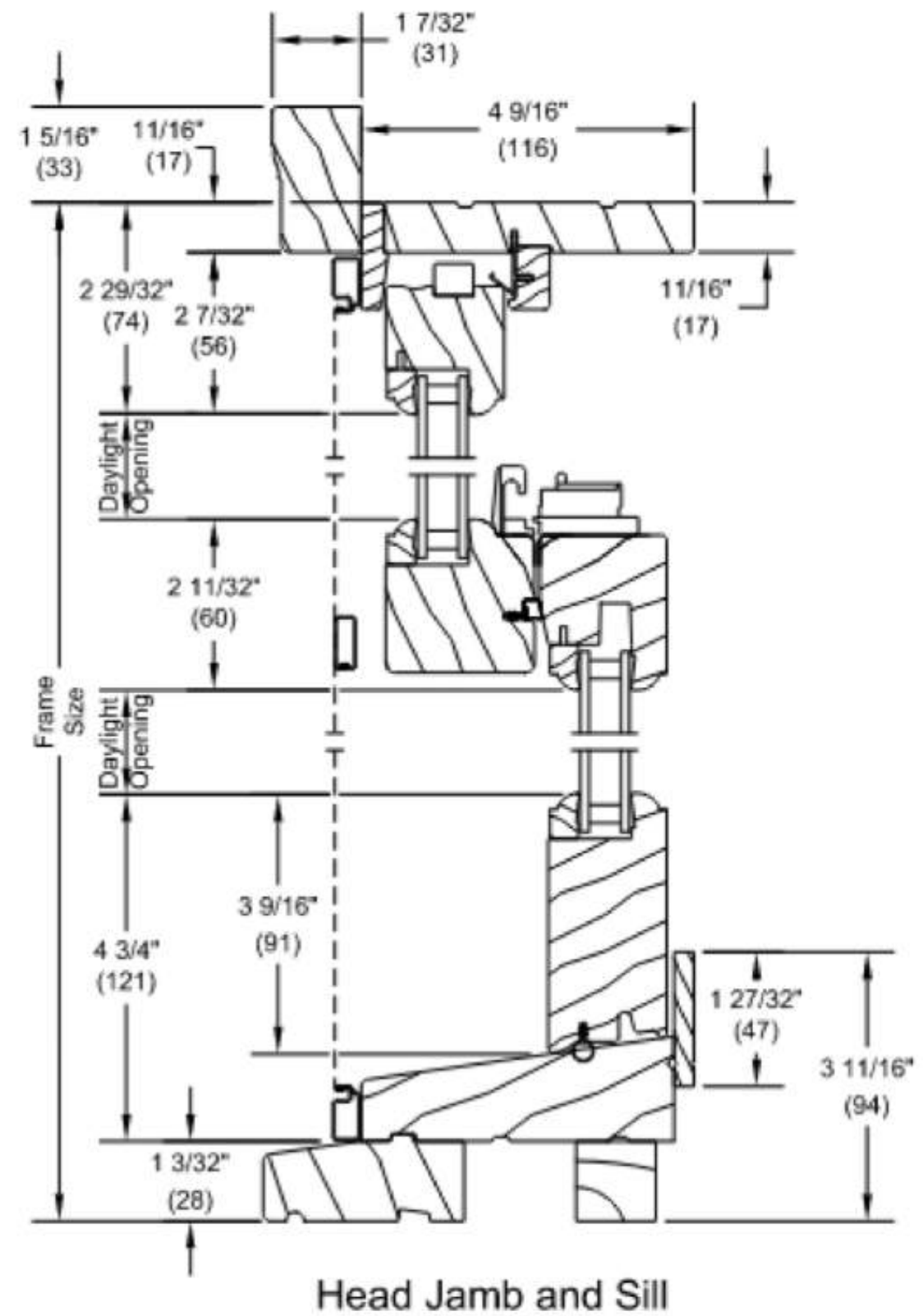
**ALUMINUM INTER-LOCK**

Eliminates drafts and improves the window's overall structural integrity.





**SECTION - MARVIN ALUMINUM CLAD WINDOW**  
(WOOD INTERIOR / ALUM. CLAD EXTERIOR)



**SECTION - MARVIN ALL WOOD WINDOW**







**EAST ELEVATION**



**WEST ELEVATION**



**St. Benedict the Moor**  
930 West State Street  
Milwaukee, Wisconsin

**OVERALL PHOTOGRAPHS**

**A5.3**  
11/07/22

